

Digital Sonar KDS-6000BB

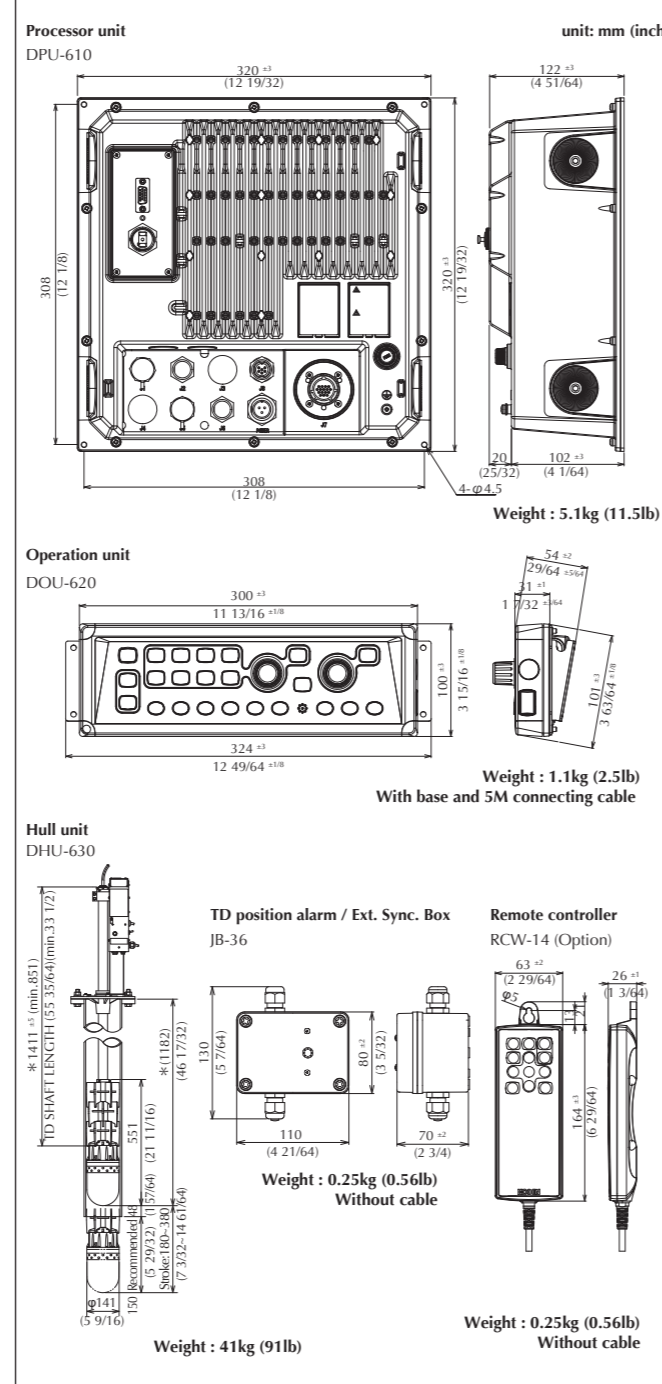
SPECIFICATIONS

Model	KDS-6000BB	
Output power (RMS)	1.5 kW	
Transducer	DHU-6302-80 kHz	DHU-6302-BB
Output frequency	80 to 90 kHz (0.1 kHz step)	130 to 210 kHz (0.1 kHz step)
Tilt angle	5° to -90° (1°step)	
Beam angle	8° to 12°	
TD stroke	150 to 380 mm (Recommended value 150 mm)	
Display size and type	Any monitor with VGA resolution (Owner supplied)	
Basic ranges	10 to 1000 (m), 30 to 3000 (ft), 10 to 600 (fm), 10 to 700 (Lfm) (8 ranges can be set to users choice)	
Range units	m, ft, fm, Lfm	
Scanning sector angles	5°step: 5°, 25°, 45°, 85°, 125°, 165°, 205°, 360° 10°step: 10°, 30°, 50°, 90°, 130°, 170°, 210°, 360° 15°step: 15°, 45°, 75°, 105°, 135°, 165°, 225°, 360° 20°step: 20°, 60°, 100°, 140°, 180°, 220°, 260°, 360°	
Bottom scan mode	3°step: 3°, 27°, 45°, 63°, 93°, 117°, 147°, 177° 5°step: 5°, 25°, 45°, 65°, 95°, 115°, 145°, 175°	
360° Scanning time (extracts)	Scanning range (m) 20 40 60 80 100 120 160 180 200 240 400 Scanning time (sec.) 5°step 6.3 8 10 11.8 14 15.8 19.5 21.6 23.5 27.5 43.3 Scanning time (sec.) 10°step 3.7 4.7 5.6 6.5 7.6 8.6 10.6 11.5 12.5 14.4 22.4 Scanning time (sec.) 15°step 3.3 3.7 4.3 4.9 5.7 6.4 7.9 8.2 8.9 10.3 15.7 Scanning time (sec.) 20°step 3.3 3.4 3.8 4.2 4.8 5.2 6.4 6.6 7.3 8.1 12.2	
Bearing center	1°step	
Presentation modes	Sonar, Off-center, Bottom scan, Echo sounder, 2 Mode Display, One line	
Off-Center	Fore, Back, Left, Right	
Target lock	Reverse, Horizontal, Horizontal + Vertical, Marker + Horizontal, Marker + Vertical	
Presentation colors	8 colors, 16 colors	
Functions	TVG, Color rejection, Dynamic range, Compass display, Pulse width, Output power control, Noise reduction, A-scope, CM key, Frequency bandwidth, Image correction, Bearing display, TD auto up, Sona-Tone™	
Language	English, Japanese, Korean, Spanish, Thai, Traditional Chinese, Greek, Italian, Portuguese, Burmese	
Input data format and sentences	NMEA0183 GGA, GLL, HDG, HDM, HDT, RMC, THS, VTG, ZDA	
Output data format and sentences	NMEA0183 DBT, DPT, GGA, GLL, MTW, RMC, TLL, VTG, ZDA	
NMEA ports	Total 1 : input / output	
Power supply	Processor unit	10.8 to 31.2 VDC
	Hull unit	10.8 to 31.2 VDC
Power consumption	Processor unit	70 W or less (24 VDC)
	Hull unit	70 W or less (24 VDC)
Operating temperature	-15 °C to + 55 °C	
Water protection	-	

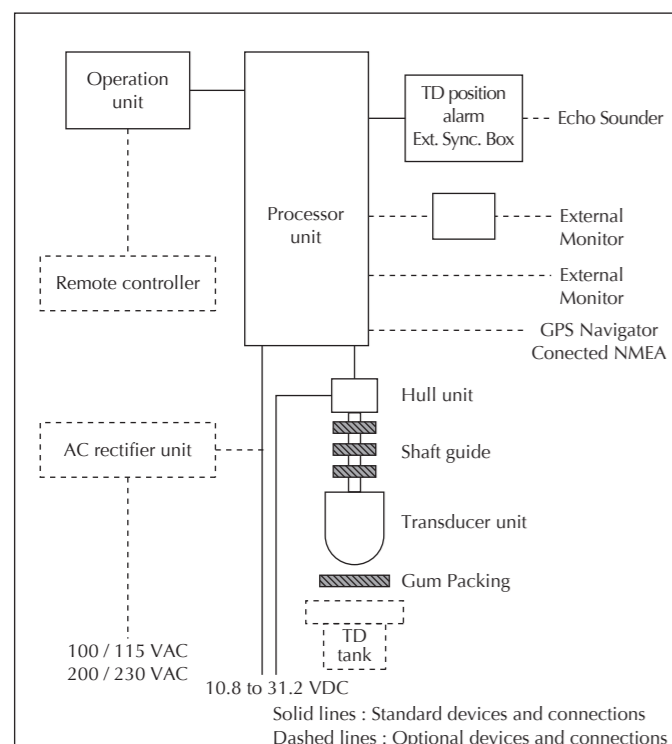
EQUIPMENT LIST

Standard equipment	Processor unit	1
	Operation unit	1
	Hull unit	1
	Accessories for Processor unit	1
	Installation materials for Hull unit	1
	TD position alarm	1
	DC power cable	1
	Operation manual, Installation manual, Quick Reference	1
Options	Remote controller, PCV TD tank, FRP TD tank, Shaft guide for FRP tank AC rectifier unit, Connecting cable, 17 inch LCD monitor	

DIMENSIONS AND WEIGHT



CONNECTIONS

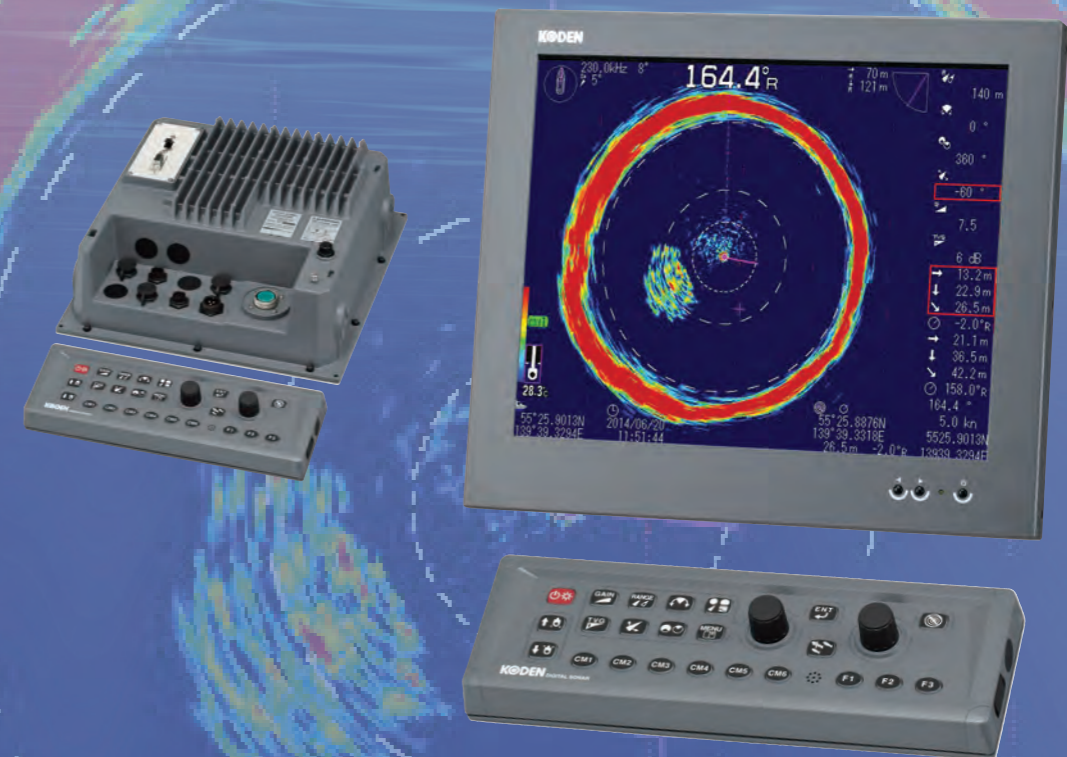


• Design and specifications are subject to change without notice.

(((Broadband)))

The Next Big Thing is Here
Frequency Hopping Broadband Sonar

17 inch LCD Monitor (Option)



Features

- Change frequency on the go with our advanced Broadband Technology
- Massive improvement in scan speed, making detection of fish schools much faster
- Clearest possible images with our digital signal processing
- All setup and user settings changed instantly by utilizing Conditional Memory function
- Black Box sonar with 17 inch LCD Monitor available (Option)

Digital Sonar

KDS-6000BB

● Advanced Broadband Technology

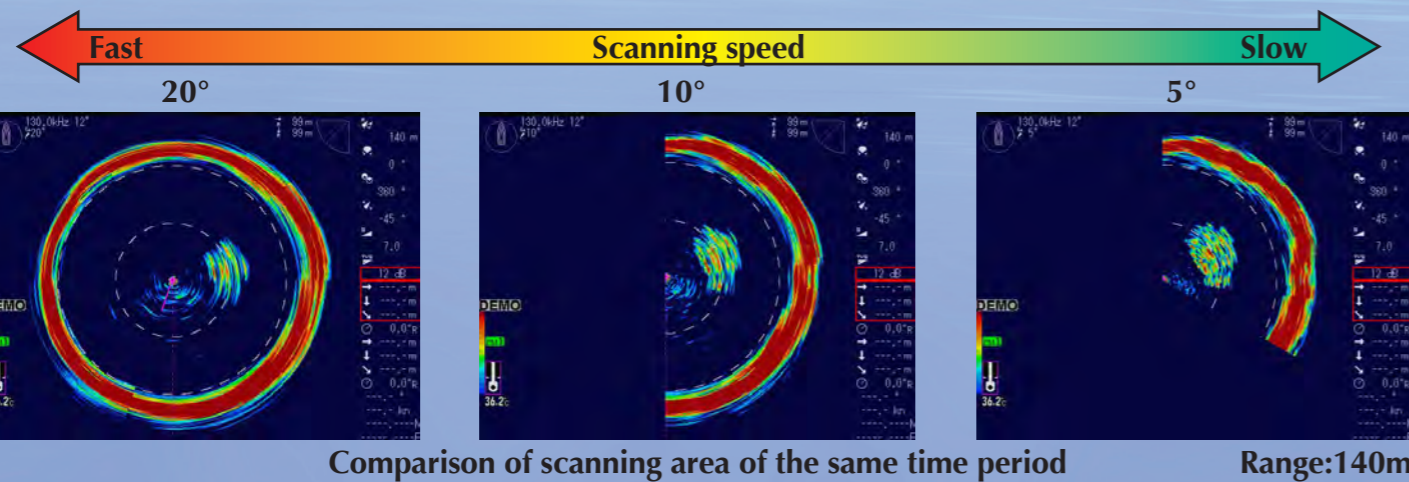
KDS-6000BB is world first Broadband searchlight sonar. The 80 to 90 kHz frequency or 130 to 210 kHz frequency can be selected depending on the Transducer. The most suitable output frequency can be selected in 0.1 kHz step depending on the fishing method and the target species from closer range to longer range. Selection of frequency is as easy and quick as tuning a radio. Flexible selection of frequency enables the user to stay away from interference with the sounders on the other vessels.

● Clearest possible images with our digital signal processing

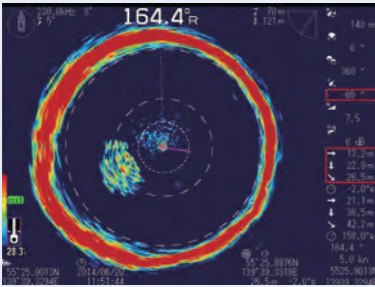
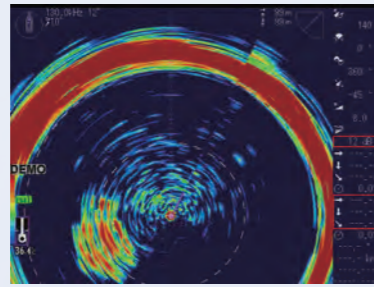
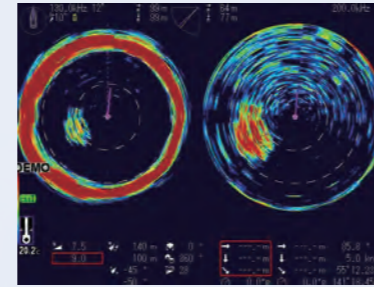
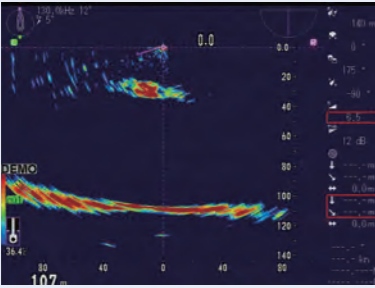
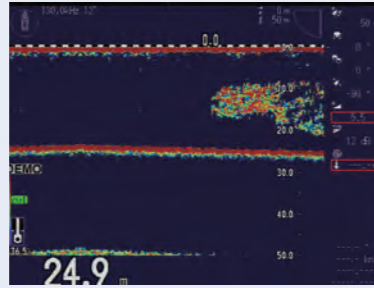
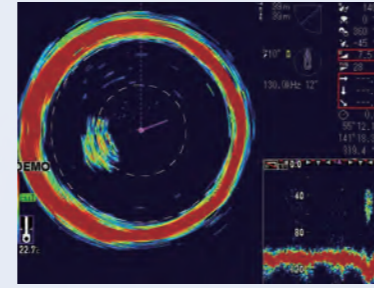
Both of high resolution in closer range and noise reduction performance in longer range are materialized at high level with newly-developed digital signal processing, KDP V.

● Massive improvement in scan speed

Scanning speed is remarkably increased by adding 15° and 20° in scanning sector angle steps. It can detect surrounding fish schools quickly.



● Six different presentation modes

		
Sonar mode Search around the ship	Off-center mode Show more information of ahead	Sonar x 2 mode Two different frequencies
		
Bottom scan mode Reflected echo from underwater and sea bottom	Echo sounder mode Image like Echo sounder	One line display mode Show vertical Sonar image like an echo sounder image in the Sub-screen

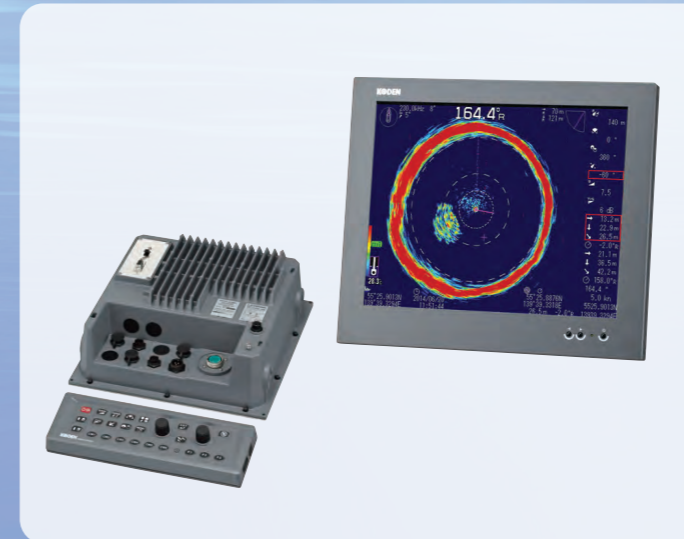
● CM keys



Six of CM keys

Six of CM (Condition Memory) keys offer the user to preset all the current settings and recall them instantly. It is like six sonars in one unit.

● Black box type



KDS-6000BB comes in black box. The user can select a monitor from the market or the optional 17 inch LCD monitor

● Space-saving Hull unit

Newly-designed compact Hull unit allows for saving the space on your vessel.



● 80 kHz screen images

